

Technical data sheet



Product features

Cooling counter GN 1/1 pizza 2x door, 7x drawer

Model	SAP Code	00014286
RTP 3D-2D7ZN	A group of articles - web	Cooling and freezing tables



- Material: Stainless steel
- Number of doors: 2
- Number of drawers: 7
- Control type: Digital
- Minimum device temperature [°C]: -2
- Maximum device temperature [°C]: 8
- Max ambient temperature [°C]: 43
- Insulation thickness [mm]: 50
- Unit: Right

SAP Code	00014286	Chamber volume [l]	160
Net Width [mm]	2017	Number of doors	2
Net Depth [mm]	800	Number of drawers	7
Net Height [mm]	900	Minimum device temperature [°C]	-2
Net Weight [kg]	342.00	Maximum device temperature [°C]	8
Power electric [kW]	0.247	Refrigerant	R290
Loading	230 V / 1N - 50 Hz	Refrigerant weight [g]	105.00
Energy class	D	Climate class	4

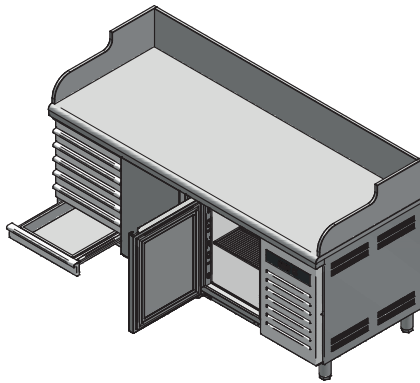
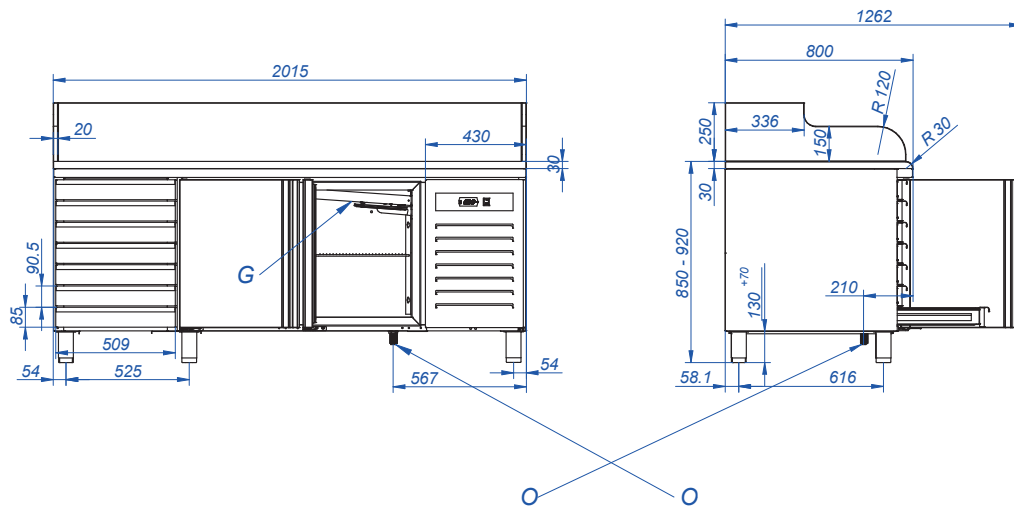
Technical data sheet



Technical drawing

Cooling counter GN 1/1 pizza 2x door, 7x drawer

Model	SAP Code	00014286
RTP 3D-2D7ZN	A group of articles - web	Cooling and freezing tables



Technical data sheet



Technical parameters

Cooling counter GN 1/1 pizza 2x door, 7x drawer

Model	SAP Code	00014286
RTP 3D-2D7ZN	A group of articles - web	Cooling and freezing tables

1. SAP Code:

00014286

2. Net Width [mm]:

2017

3. Net Depth [mm]:

800

4. Net Height [mm]:

900

5. Net Weight [kg]:

342.00

6. Gross Width [mm]:

2075

7. Gross depth [mm]:

840

8. Gross Height [mm]:

1085

9. Gross Weight [kg]:

355.00

10. Device type:

Electric unit

11. Power electric [kW]:

0.247

12. Loading:

230 V / 1N - 50 Hz

13. Energy class:

D

14. Refrigerant:

R290

15. Cooling type:

Dinamic

16. Material:

Stainless steel

17. Min ambient temperature [°C]:

10

18. Max ambient temperature [°C]:

43

19. Device properties 2:

Cooling

20. Chamber volume [l]:

160

21. Adjustable feet:

Yes

22. Pizza design:

Yes

23. Insulation thickness [mm]:

50

24. Number of doors:

2

25. Number of drawers:

7

26. Unit:

Right

27. Control type:

Digital

28. HACCP:

Yes

Technical data sheet



Technical parameters

Cooling counter GN 1/1 pizza 2x door, 7x drawer

Model	SAP Code	00014286
RTP 3D-2D7ZN	A group of articles - web	Cooling and freezing tables

29. Minimum device temperature [°C]:

-2

33. Net Volume [m3]:

1,452

30. Maximum device temperature [°C]:

8

34. Climate class:

4

31. Refrigerant weight [g]:

105.00

35. Cross-section of conductors CU [mm²]:

0,5

32. Gross Volume [m3]:

1.891